



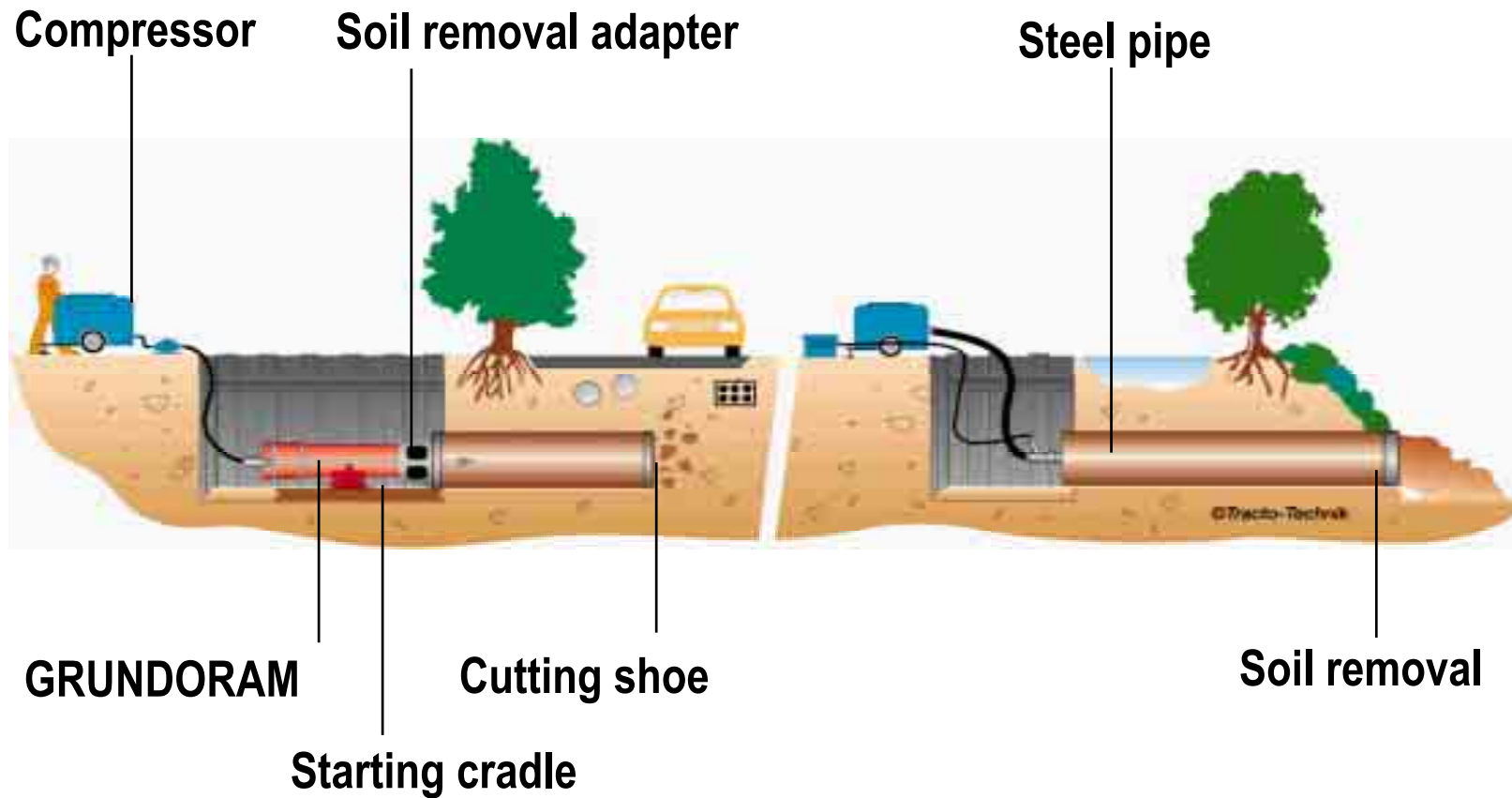
The steel pipe ramming technique with **GRUNDORAM**





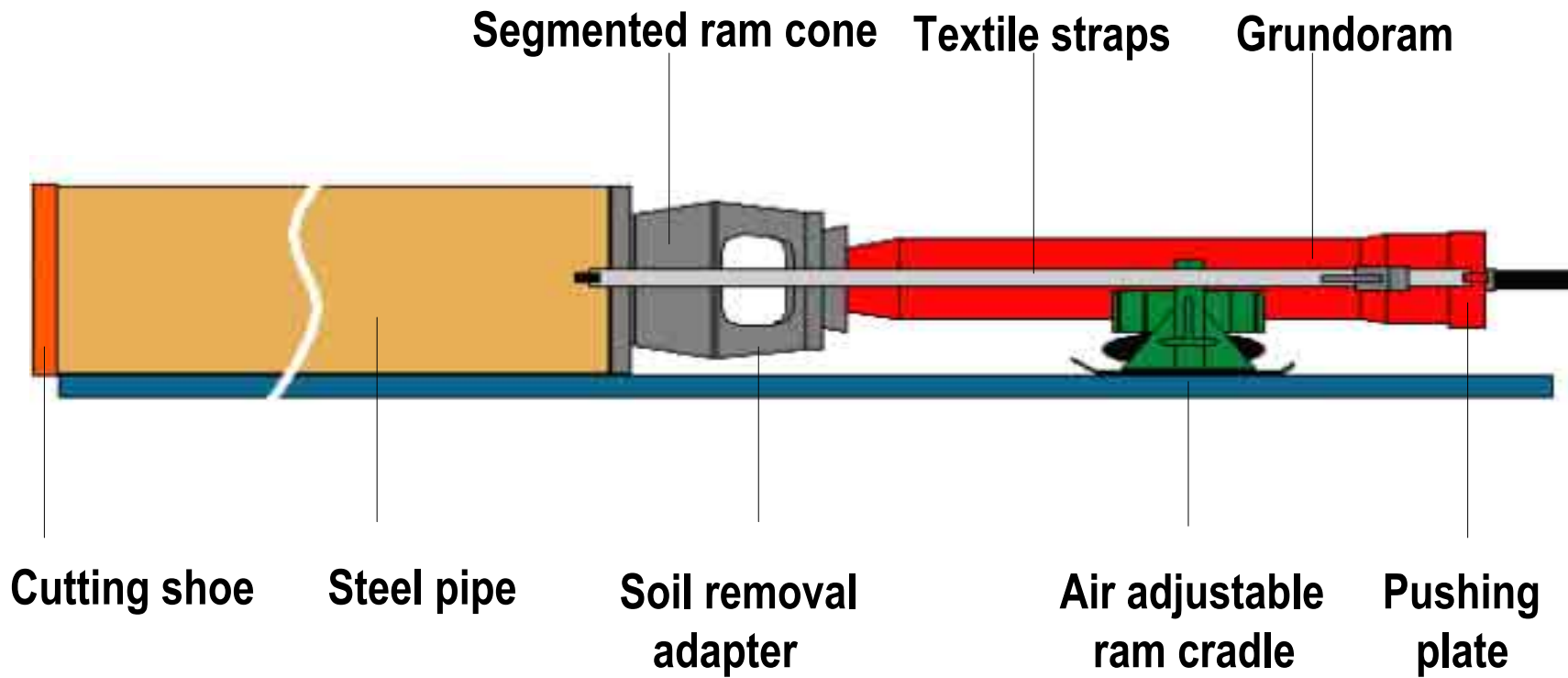
GRUNDORAM

Principle sketch of the ramming technique





GRUNDORAM Setup





Advantages of the steel pipe ramming technique

- ➔ less disruption and damage of surfaces worth conserving (road surface, front gardens etc.) and minimal restoration – giving economic advantage
- ➔ low social costs because detours, half-sided barriers, etc. are avoided
- ➔ acknowledged pipe installation technique
- ➔ short setting-up times - short installation times
- ➔ the dynamic impact when ramming can shatter obstacles and easily overcome difficult starting resistance after standstill periods.
- ➔ The aiming accuracy is improved because the dynamic impact shatters various soil formations
- ➔ minimal covering, i. e. no large-scale pits
- ➔ simple operating technique
- ➔ adaptation to all pipe diameters with special ram cones
- ➔ wide application range

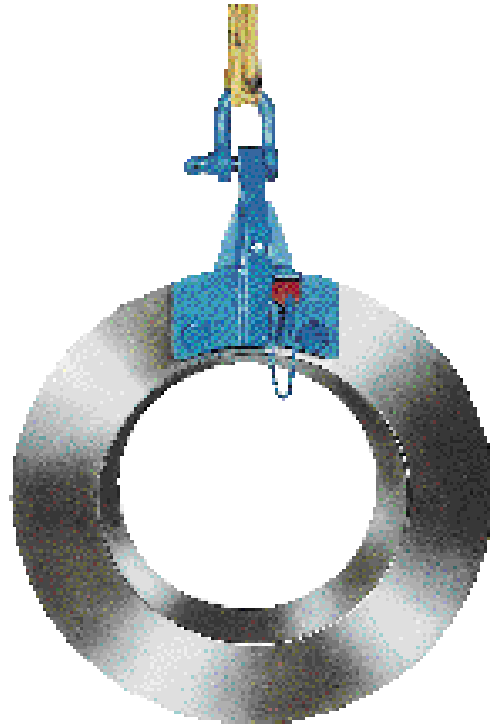




Ram Cone / Add On Cone

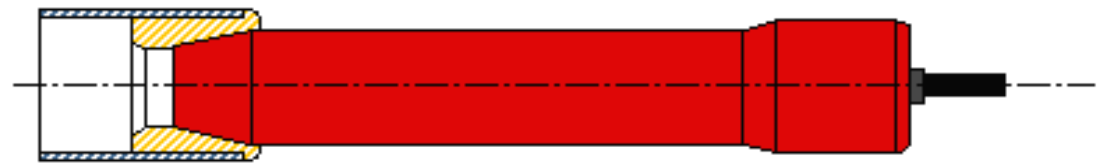


Lifting Equipment for Large Ram Cones

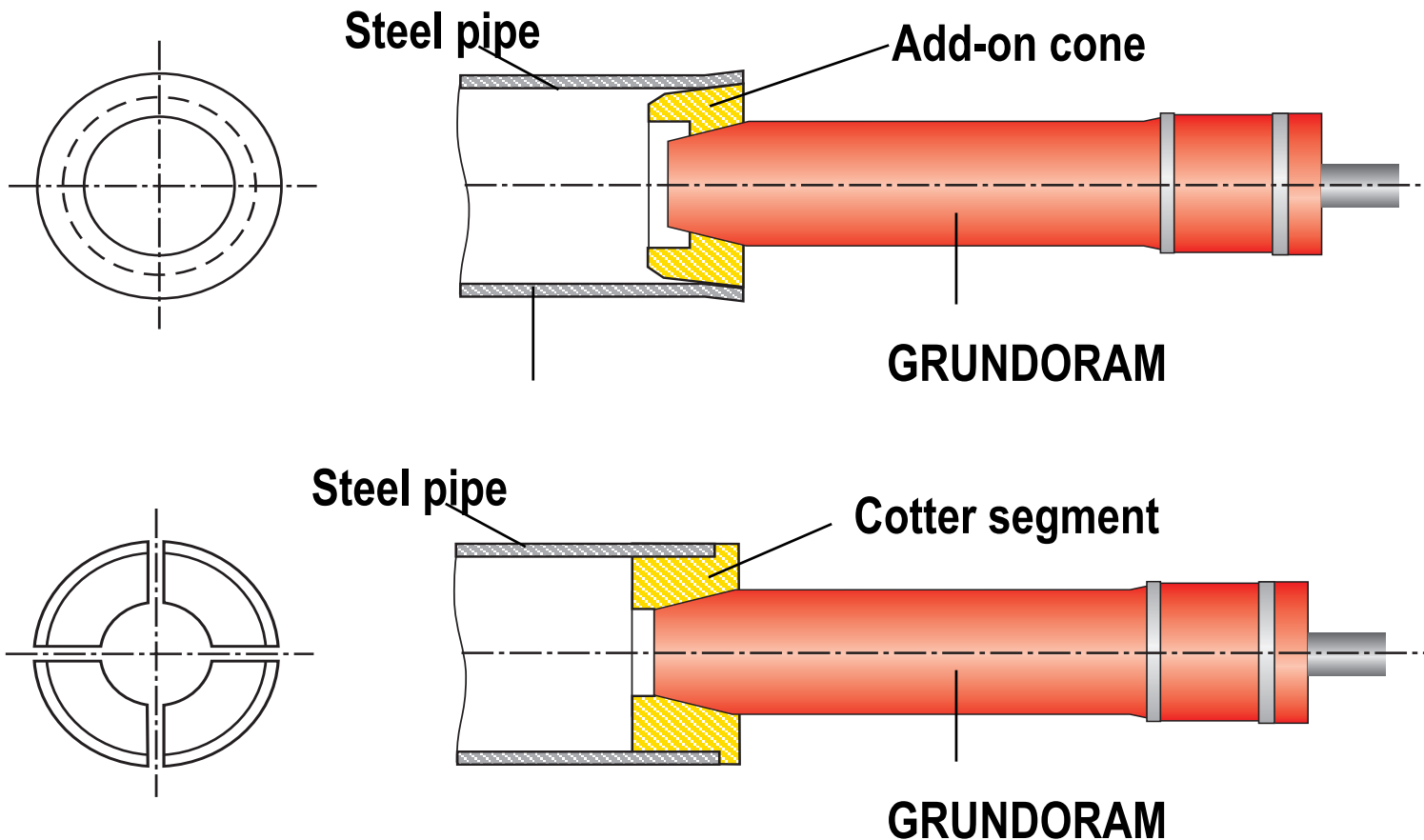




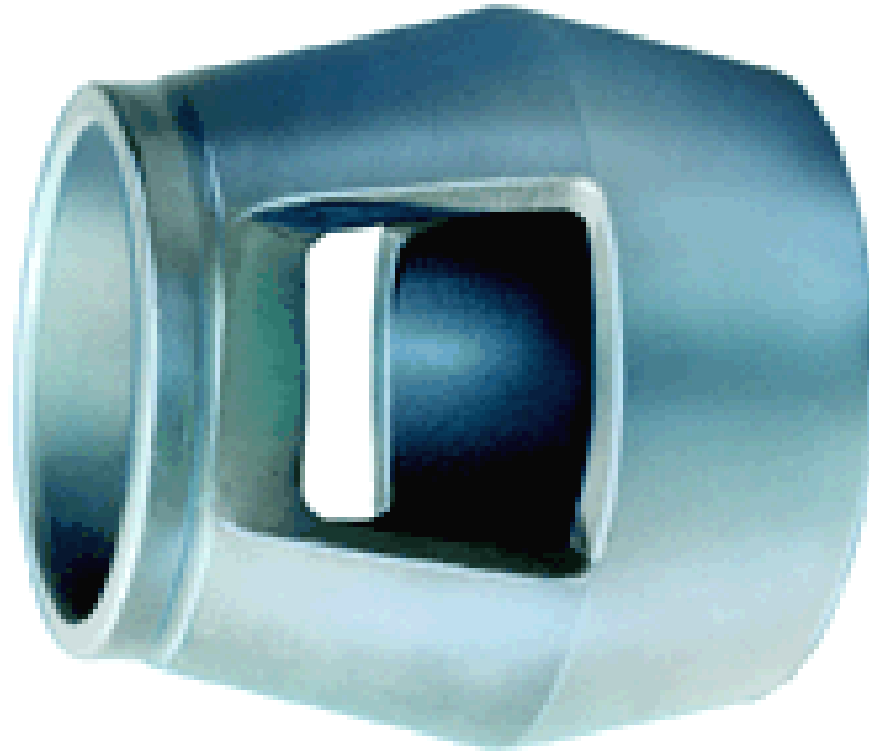
Ram Cones / Segmented Ram Cones / Soil Removal Cones



Comparison Add-on cone – Cotter segment



Soil Removal Adapter / Soil Removal Cone





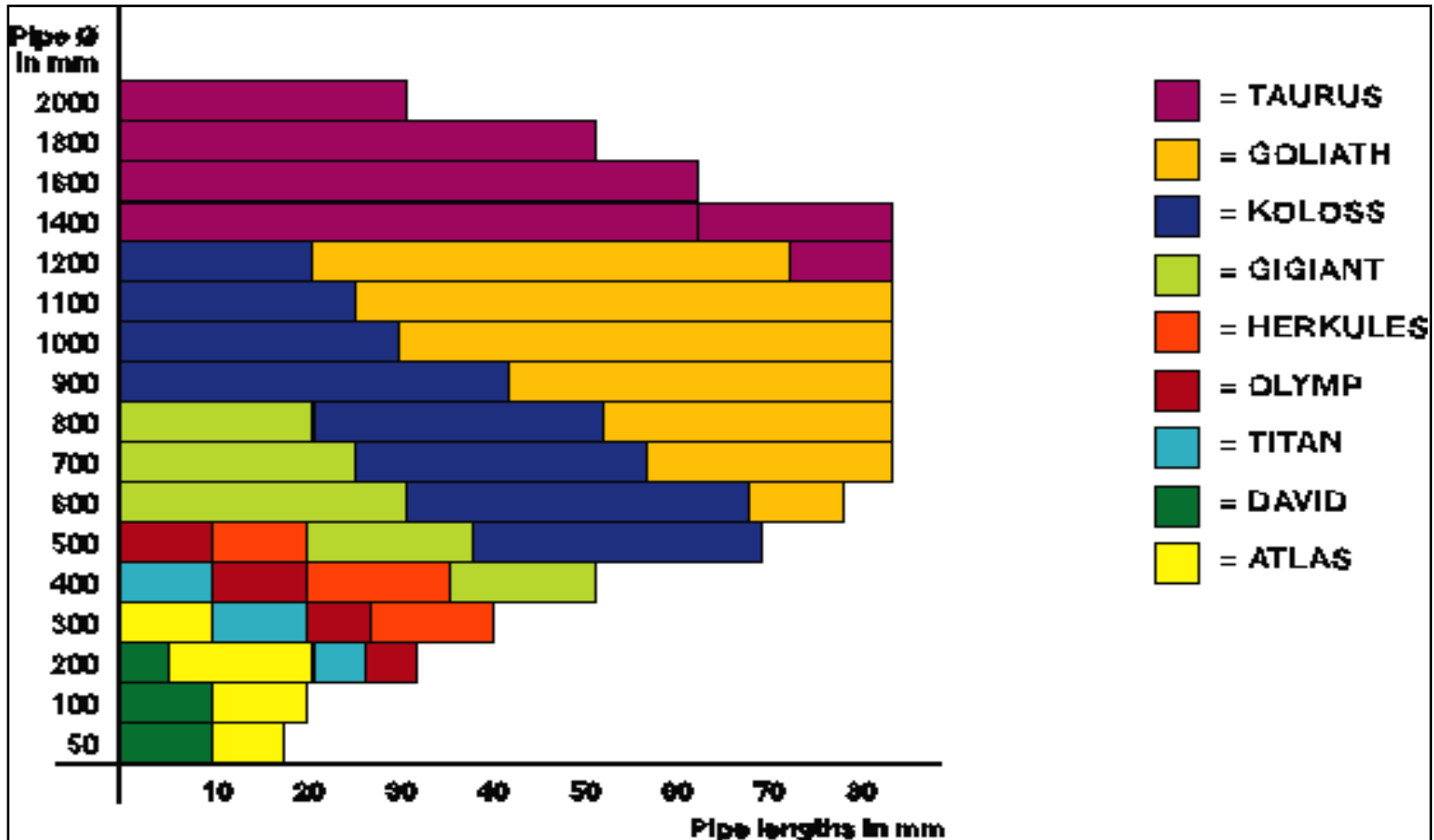
Cutting shoe



Bentonite Cutting Shoe

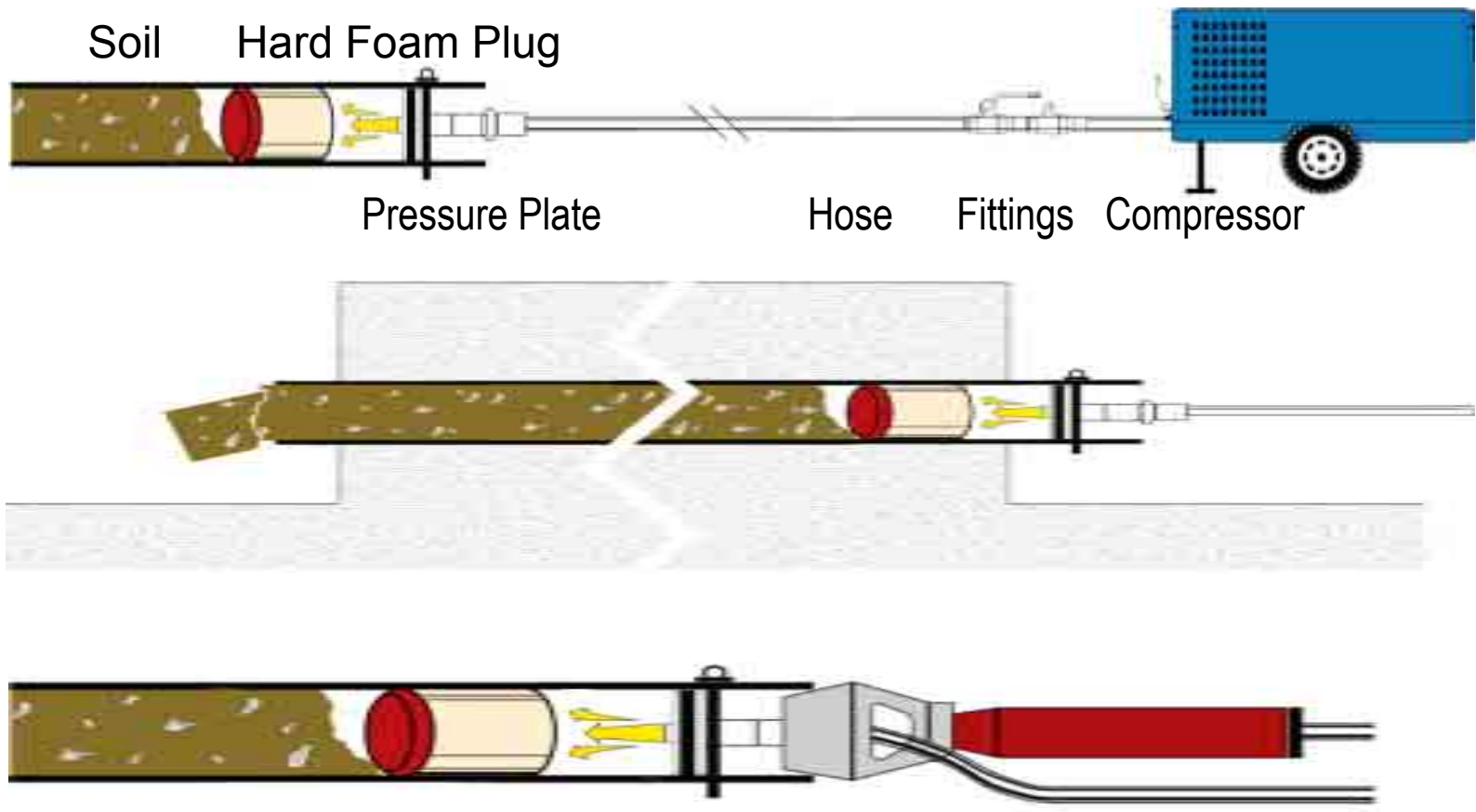


Which GRUNDORAM for which Diameter ?





Soil Excavationn by Compressed Air only



GRUNDORAM application example



GRUNDORAM application example



GRUNDORAM application example



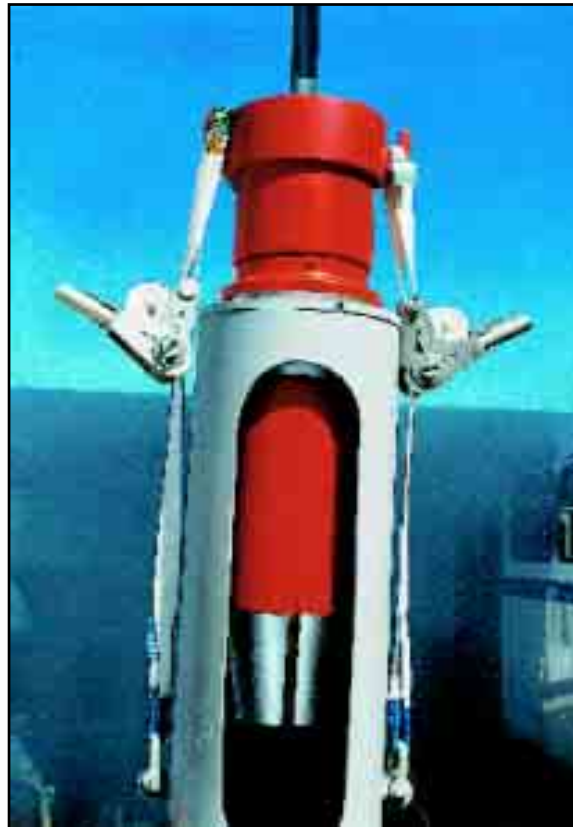
GRUNDORAM application example



GRUNDORAM application example



GRUNDORAM application example Vertical Application





Tank you for your attention!

